

# Single Vessel NGV Fuel Gas Dryers

# NG-SV-FM



**MADE IN THE U.S.A.**

**PSB INDUSTRIES INC.  
ISO 9001:2008 CERTIFIED**

# NG-SV-FM Single Vessel Natural Gas Dryer

PSB type NG-SV-FM is an ideal system for drying small volumes of natural gas for stations with intermittent use. Each unit is conservatively sized to remove moisture from gas upstream of the natural gas compressor.

The dryer is shipped with an initial charge of molecular sieve desiccant. Prior to installing shipping plugs, the bed is blanketed with bone dry nitrogen gas. The nitrogen blanket keeps the bed fresh and allows long term storage of the dryer prior to installation.

When the initial charge of desiccant has reached maximum drying capacity, it can be replaced with a fresh charge of desiccant.

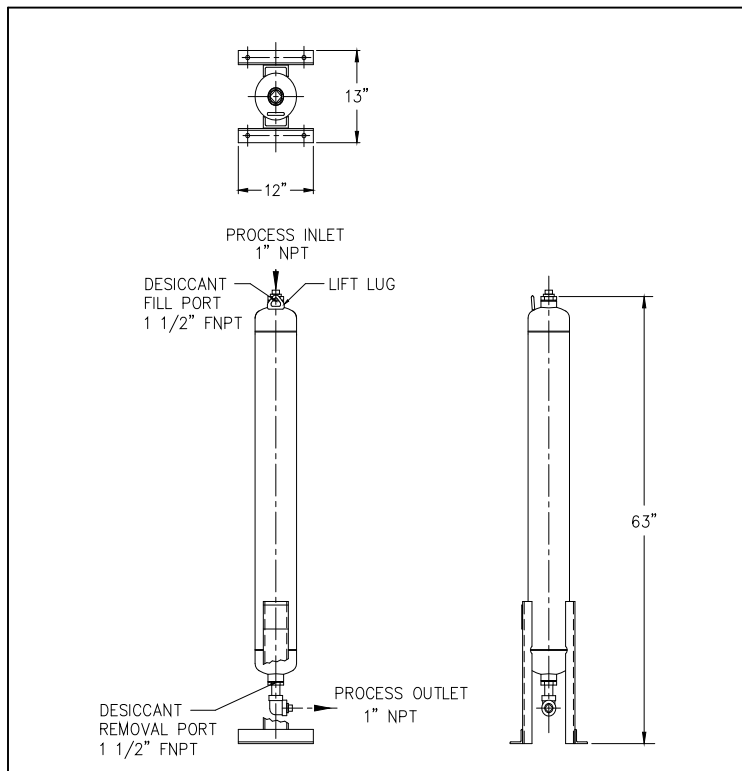
PSB Model	(1) MMSCF Capacity @ 7 lb. H <sub>2</sub> O/MMSCF	Process Connections Inches	Dimensions Inches			Package Weight lbs.
			L	W	H	
NG-SV-0.45-FM	0.45	1 NPT	12	13	63	167
NG-SV-0.85-FM	0.85	1 NPT	12	13	63	200

Specifications and information subject to change

(1) Capacity Multiplier for moisture contents other than 7 lb. H<sub>2</sub>O/MMSCF

Actual lb. H <sub>2</sub> O/MMSCF	2	4	6	7	10	15	20	40	50
Multiplier	2.27	1.49	1.11	1.0	0.7	0.5	0.39	0.21	0.17

## GENERAL ARRANGEMENT PSB TYPE NG-SV-FM



## DESIGN FEATURES

- **Vessel design: 150 psig and 14.9 psig MWP**
- **Non-Code, Carbon steel construction. UM stamp vessel available as an option.**
- **Heavy duty structural support**
- **Both models have identical foot print**
- **Stainless steel desiccant screens/fill/drain ports**
- **Lift lug to facilitate handling**
- **Initial charge of desiccant**
- **Factory nitrogen blanket avoiding moisture contamination**



**PSB Industries Inc.**  
 1202 West 12<sup>th</sup> Street • Erie, PA. USA  
 Phone: 814-453-3651 • Fax: 814-454-3492  
[www.PSBINDUSTRIES.com](http://www.PSBINDUSTRIES.com)